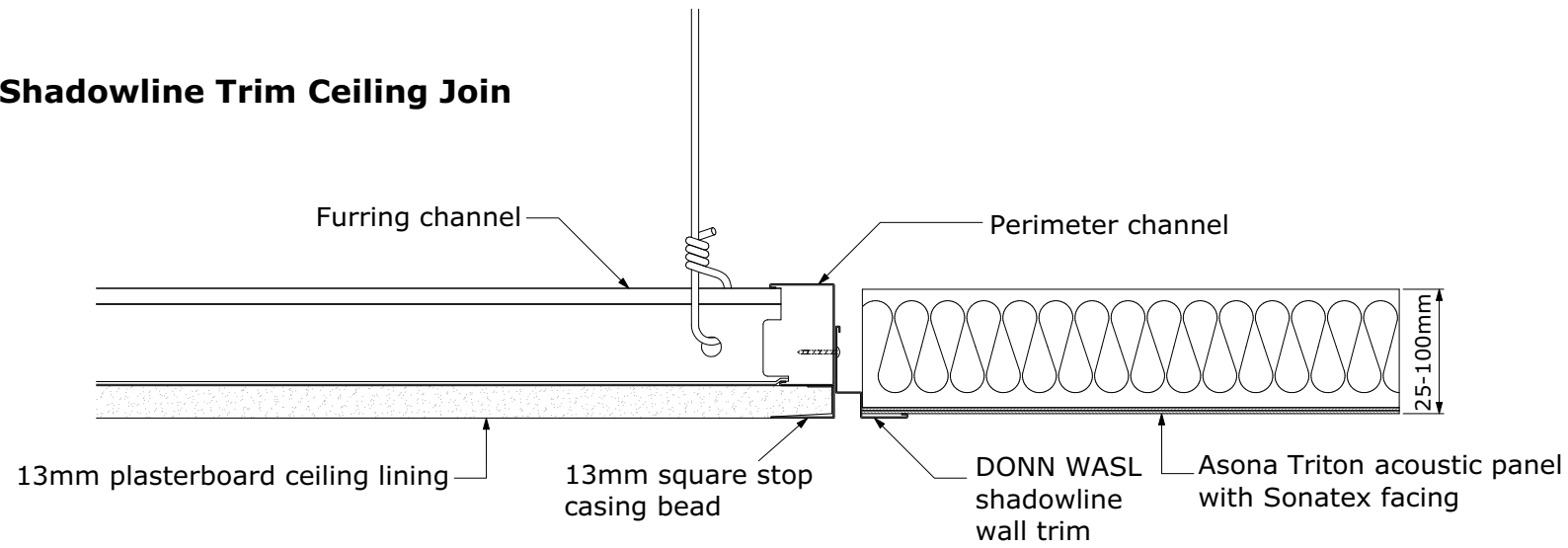
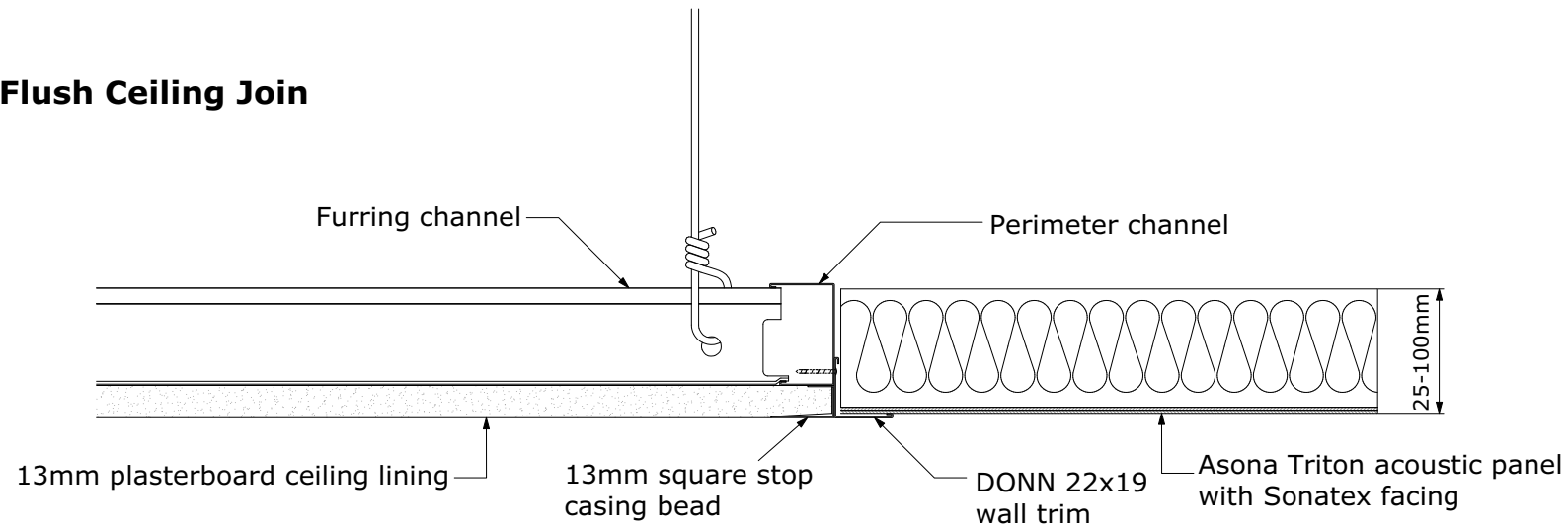


Shadowline Trim Ceiling Join



Flush Ceiling Join



Description:

Asona Triton acoustic panel with sonatex facing. Triton panels available in various thicknesses.
 25mm - NRC 0.95
 30HD - NRC 0.95
 50mm - NRC 1.00
 75mm - NRC 1.00
 100mm - NRC 1.00

asona

www.asona.co.nz

info@asona.co.nz

6 Mahunga Drive, Mangere Bridge
 Auckland 2022, New Zealand
 Tel: +64 9 525 6575

Asona Triton Flush Ceiling Join Details

Product: Asona Triton 25, 25W, 30HD, 50, 50HD, 75, 100

Customer:

Project Name: Asona Triton Acoustic Panel Cover Join Options

Job Number:

APPROVED

Date: / /

Name:

Sign:

NOTES

View: Section

Drawing Number: TR-009

Version: V4

Drawing Date: Sep 2024

Scale: N/A