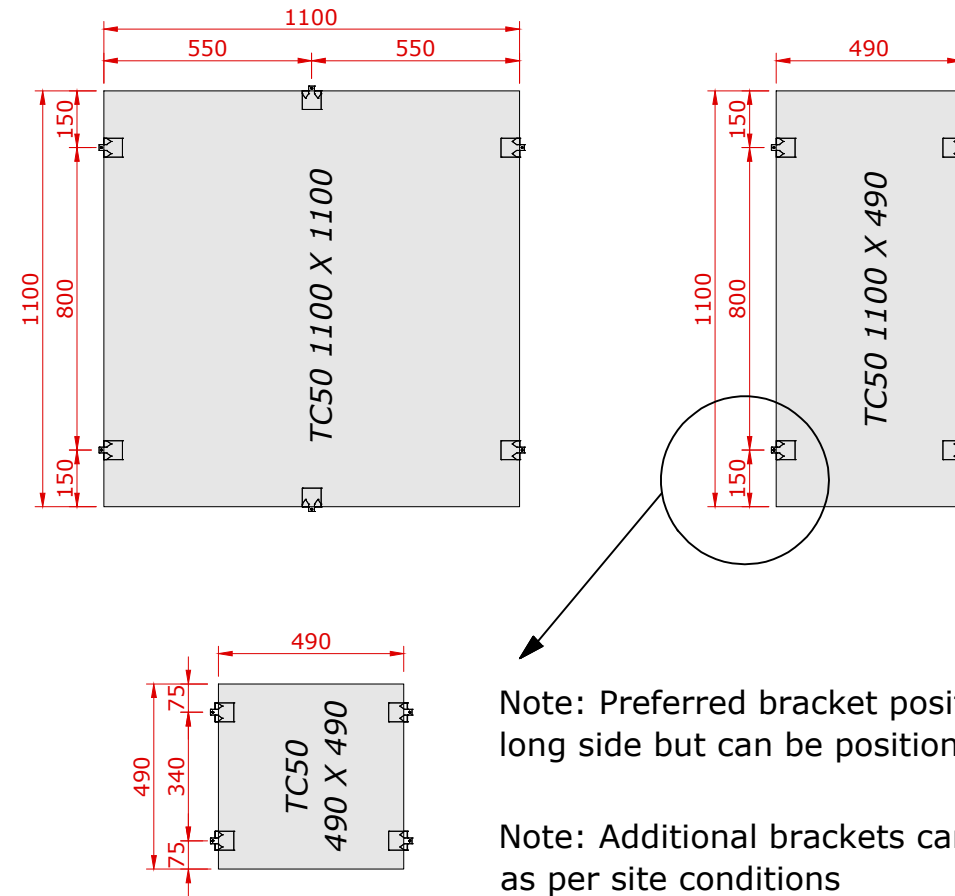
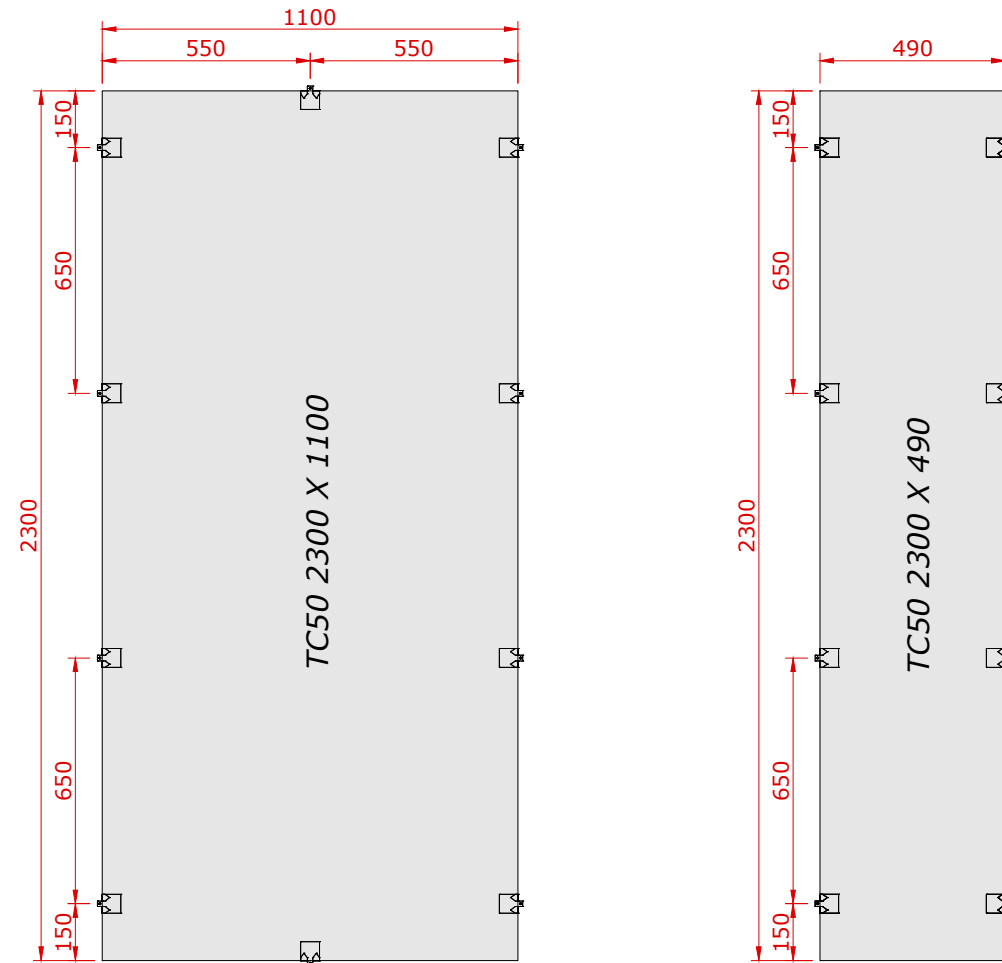


# Side Impaling Bracket Locations

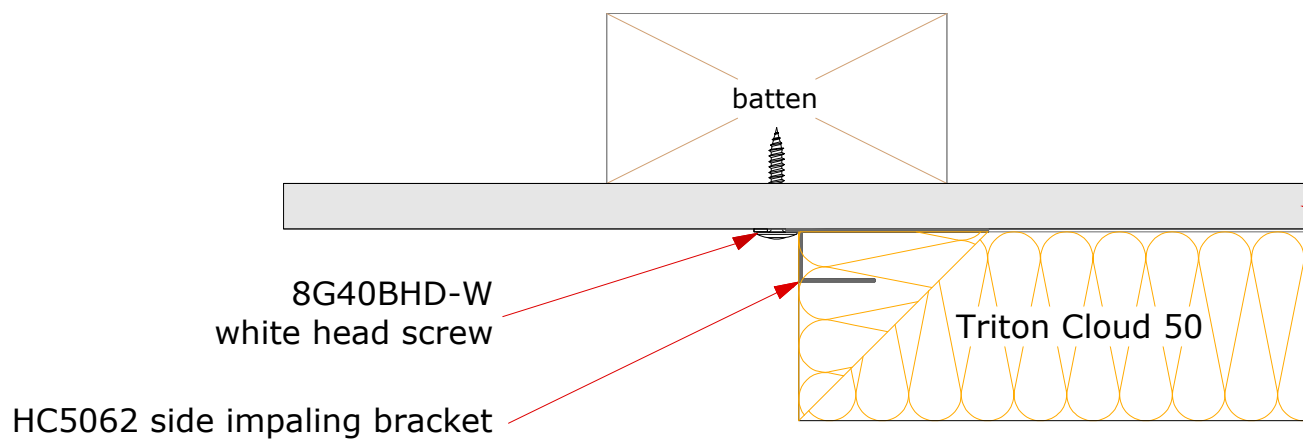


Panel Size	No. Of SIBs
2300 x 1100	x10
2300 x 490	x8
1100 x 1100	X6
1100 x 490	x4
490 x 490	x4

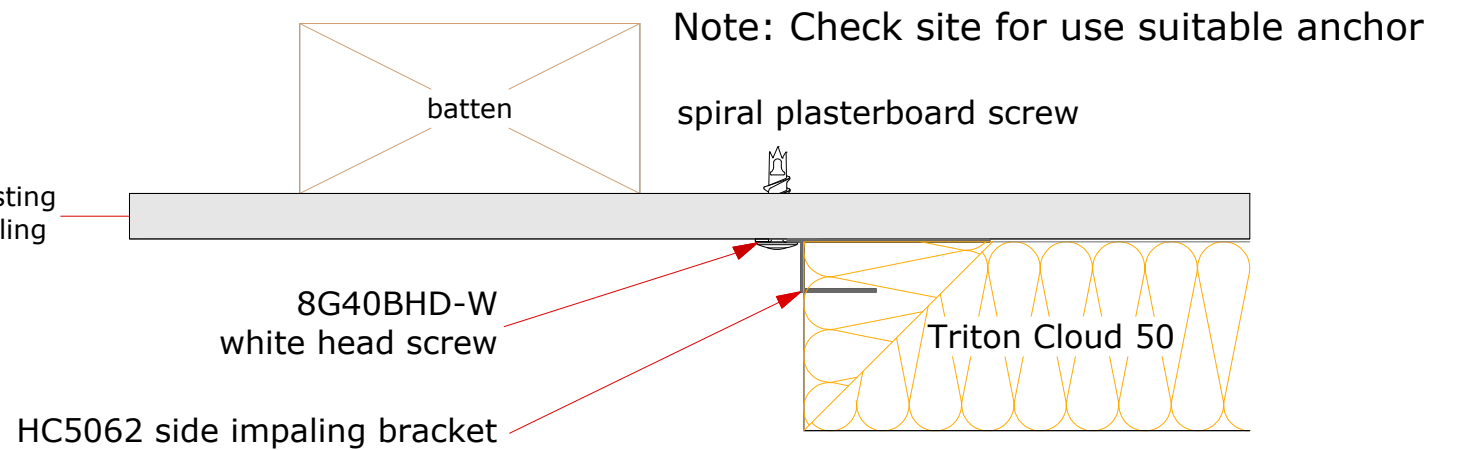
Note: Preferred bracket position at 150mm from corner of long side but can be positioned between 100 mm - 300mm

Note: Additional brackets can be installed as required as per site conditions

## Fixing Option 1



## Fixing Option 2



**asona**  
[www.asona.co.nz](http://www.asona.co.nz)  
 info@asona.co.nz  
 6 Mahunga Drive, Mangere Bridge  
 Auckland 2022, New Zealand  
 Tel: +64 9 525 6575

### Triton Cloud 50 VG Edge Panel Direct Fix

**Product:** Triton Cloud 50 VG Edge Panel

**Customer:** \_\_\_\_\_

**Project Name:** Side Impaling Brackets Positioning

**Job Number:** \_\_\_\_\_

**APPROVED** \_\_\_\_\_

Date: / /

Name: \_\_\_\_\_

Sign: \_\_\_\_\_

**NOTES**

**View:** Plan & Section

**Drawing Number:** TC-FL-017 V3

**Drawing Date:** May 2025

**Drawn by:** YP

**Scale:** N/A

© Copyright ASONA Ltd 2025, Asona™ products are trade marks of Asona Ltd. We reserve the right to change specifications without notification.