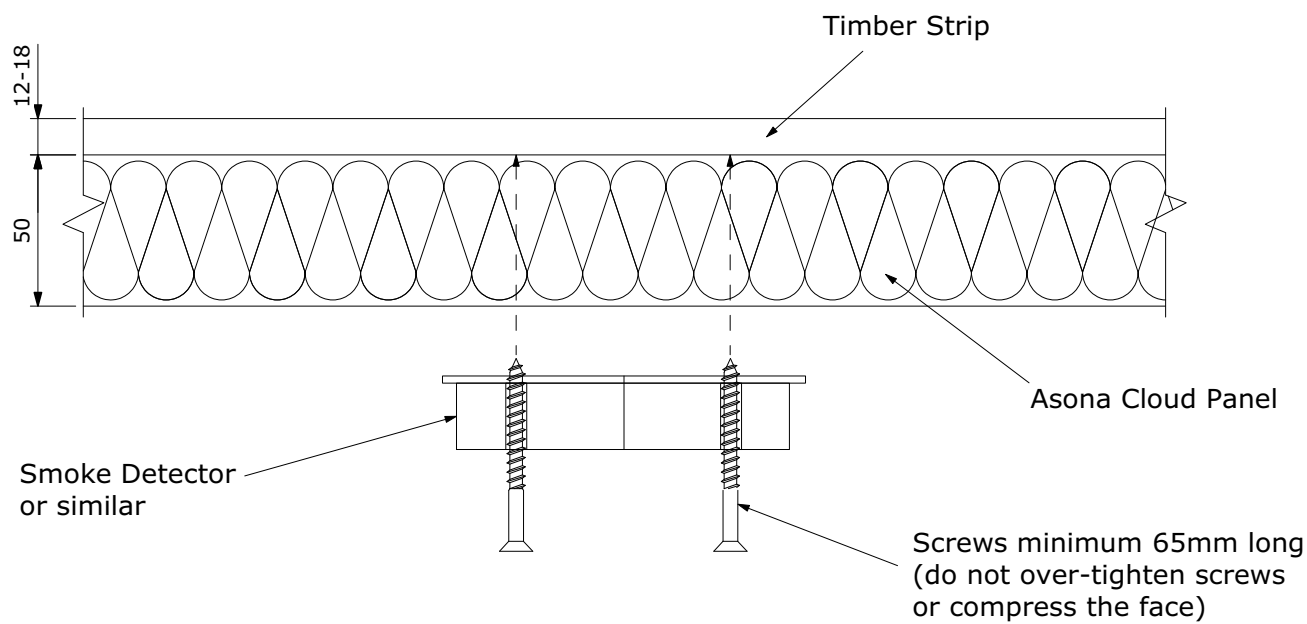
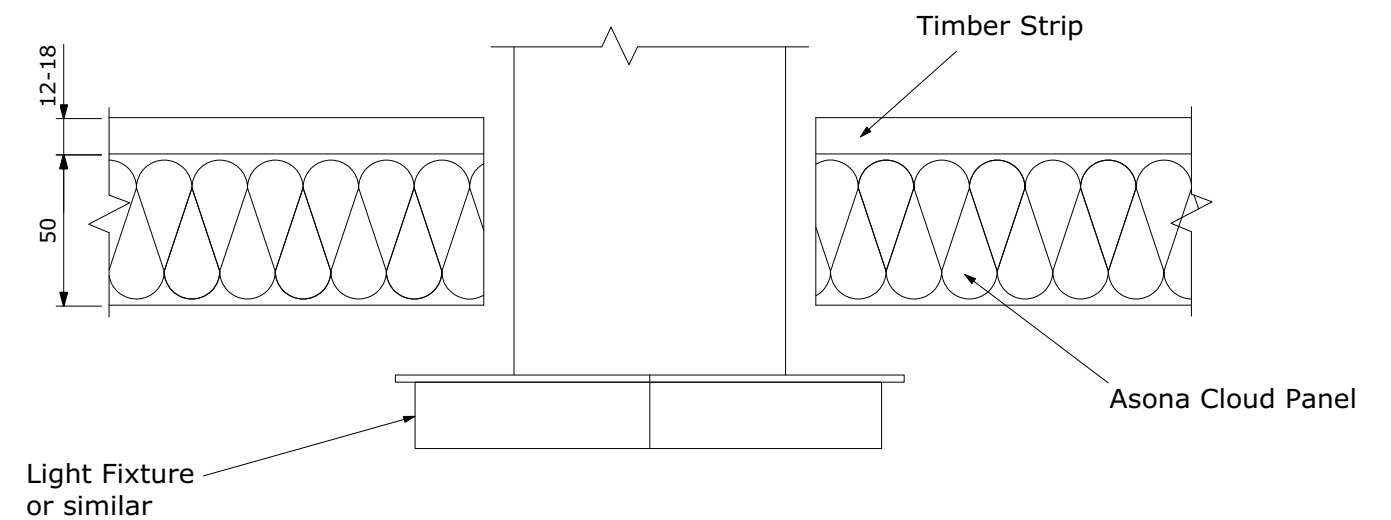


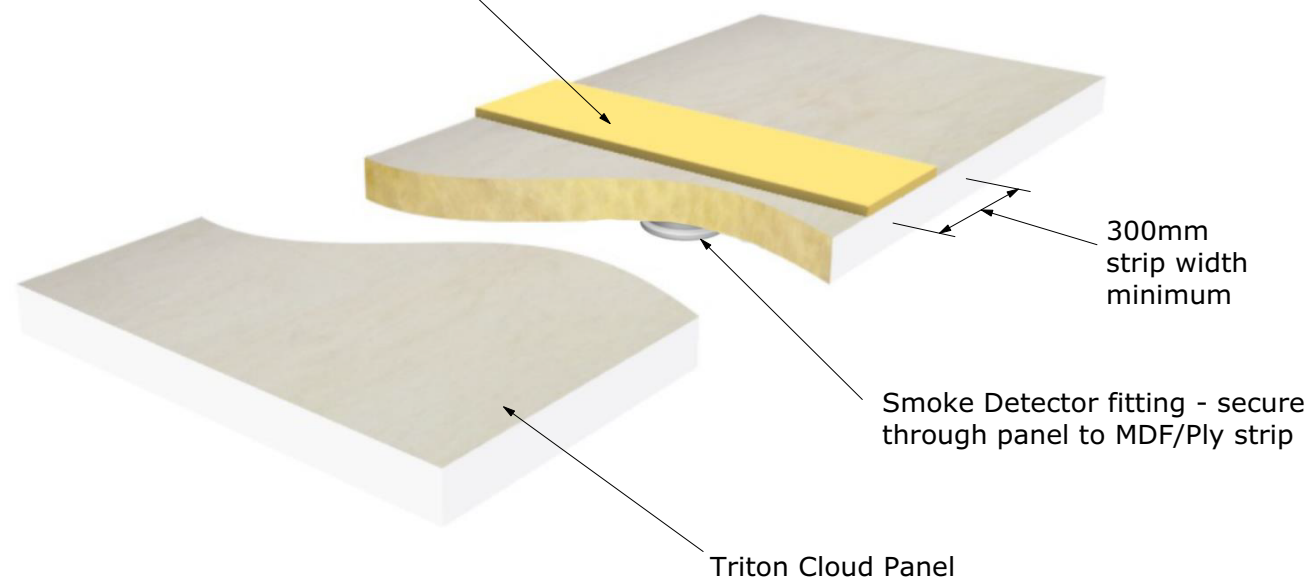
Mounting method for a light-weight product fixed through the face of the Cloud Panel



Mounting method for a light-weight product penetrating the Cloud Panel

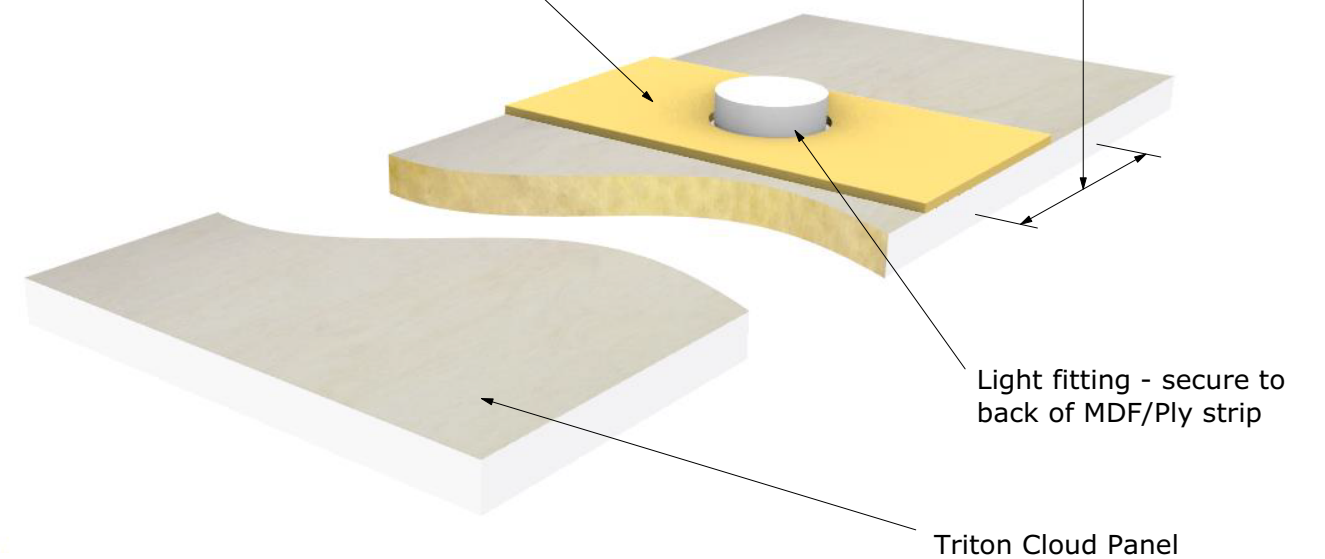


12mm - 18mm
MDF/Ply mounting strip
full width of panel
glue fixed back



12mm - 18mm
MDF/Ply mounting strip
full width of panel
glue fixed back

Strip width to be light fitting width plus 100mm each side minimum



asona

www.asona.co.nz

info@asona.co.nz

6 Mahunga Drive, Mangere Bridge
Auckland 2022, New Zealand
Tel: +64 9 525 6575

Asona Triton Cloud Equipment Mounting Options

Product: Asona Triton Cloud

Customer:

Project Name:

Job Number:

APPROVED

Date: / /

Name:

Sign:

NOTES

View: Various

Drawing Number: TC-305

Version: V2

Drawing Date: Sep 2024

Scale: N/A