

# Triton Duo 35™ - NRC 0.75 CAC 44



## Composite Absorber/Attenuator Ceiling Panel

### Technical Data sheet

ASONA

#### Description.

Triton Duo 35™ is a made in NZ 35 mm thick composite ceiling panel designed to provide high sound absorption and attenuation for control of reverberation and transmitted noise.

#### Application.

Triton Duo 35™ will attenuate rain noise under metal roofs, plenum noise from A/C ducts, provides room to room privacy with ceiling over partition heads and will reduce reverberation times in office, classrooms, corridors, meeting rooms etc

#### Composition.

Manufactured in NZ from 25 mm bio-soluble resin bonded glass fibre core with a high mass 10mm 740 kg/m<sup>3</sup> plasterboard attenuator backer and mat white Sonatex™ or perforated Sonaris™ glass mat composite facing.

#### Benefits.

- NRC 0.75 to reduce background noise and reverberation
- STC 22 dB for attenuation of air borne noise transmission
- CAC 44 for room to room privacy
- Toughened composite Sonatex™ or decorative perforated Sonaris™ facing for design choice
- Fast and easy to install, dimensionally stable
- Made in NZ, short lead times vs. imports

#### Technical Specifications

| Item #    | Size (nominal) *   | Edge       |
|-----------|--------------------|------------|
| TD35.0612 | 35 x 600 x 1200 mm | A / Square |
| TD35.0624 | 35 x 600 x 2400 mm | A / Square |

**Sound Absorption Rating:** 35mm-αW 0.6 (MH); NRC 0.75 per ASTM C423, ISO 354 E-200

| size | Hz | 125  | 250  | 500  | 1000 | 2000 | 4000 |
|------|----|------|------|------|------|------|------|
| 35mm | αp | 0.35 | 0.30 | 0.65 | 1.00 | 1.00 | 1.00 |

**Airborne Sound Reduction:** ISO143 Rw 22 dB, STC 22 dB per ASTM E413-87 Test report T0520-1

| size | Hz   | 125 | 250 | 500 | 1000 | 2000 | 4000 |
|------|------|-----|-----|-----|------|------|------|
| 35mm | R dB | 13  | 13  | 17  | 23   | 30   | 34   |

#### Accessibility:

All panels are demountable and accessible

#### Back loading:

Max. 3.0 kg/m<sup>2</sup>, point loads max. 1.5 kg unsupported.

#### Colour:

White, other colours and patterns to order, consult Asona.

#### Environmental Impact:

Made in NZ, contains 80% recycled content, low embodied energy. Product and packaging can be recycled/ reused in NZ. VOC <0.002 Mg/M<sup>2</sup>/hr per ASTM D5116

#### Fire Reaction:

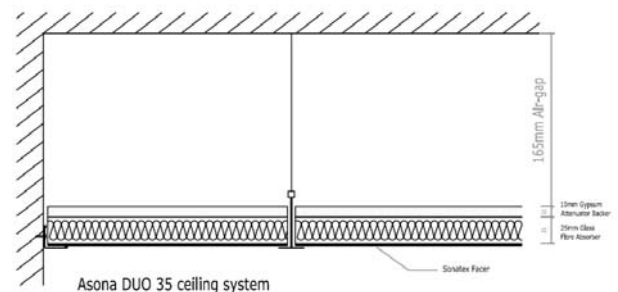
Material group number: 1S (highest rating) C/VM2 / ISO 5660.1. Suitable for fire exit way and all other sprinklered & non sprinklered buildings.

#### Installed conditions:

Max 90% R/H at 30°C.

#### Light reflectance:

ASTM C1477 LR-1, >75% White



#### Maintenance:

Clean with vacuum, soft brush or damp cloth. Re-surfacing of soiled panels available, consult Asona.

#### NZ Building Code:

Clause B2—durability, 5 years

#### Service Panels:

Available with protective plastic film covering to help keep panels cleaning during the construction phase.

#### Thermal Resistance:

R 0.7 m<sup>2</sup>°C/W

#### Weight:

9 kg/m<sup>2</sup>

#### Installation:

Shall not commence until the building is water tight and dry. Light fittings over 1.5 kg per unit shall be independently supported, use hold down clips in seismic areas.

#### Specification:

Ceiling shall be Triton Duo 35 composite sound absorber and attenuator acoustical ceiling system by Asona Ltd tel: 09 525 6575, fax: 09 525 6579, #AC43534A, size 35 x 600 x 1200 mm, NRC 0.75, STC 23 dB, colour white, lay panel onto two way exposed suspension system, secure with 2 x hold down clips per panel. Fire group: 1S

#### Asona Ltd

P.O Box 96-241 Balmoral,  
Auckland, 1342, New  
Zealand  
Sales: 09 525 6575  
Email: info@asona.co.nz  
Web: www.asona.co.nz

Factory:  
Building 14, 7Cain Road  
Penrose, 1061  
Auckland, New Zealand  
Tel: 09 525 6575  
Fax: 09 525 6579

ISO 9001:2008 Registered Firm No. NZ1014

© Copyright ASONA Ltd 2014  
Asona, Triton Duo 35 Hi-NRC/STC, Sonatex, Sonaris, TFX are trade marks of Asona Ltd  
All dimensions are nominal. We reserve the right to change specifications  
Ref. Triton Duo35 -1311

# Triton Duo 60™ NRC 0.95 CAC 44

## Composite Absorber/Attenuator Ceiling Panel

### Technical Data sheet



asona

#### Description.

Triton Duo 60™ is made in NZ 60 mm thick ISO class A composite acoustical ceiling panel designed to provide very high sound absorption to control reverberation time with high mass to attenuate transmitted rain noise from metal roofs.

#### Application.

Triton Duo 60™ is ideal for use in open office and call centre ceilings under metal roofs to muffle rain noise whilst providing excellent absorption to reduce reverberation.

#### Composition.

Manufactured in NZ from 50 mm 35 kg/m<sup>3</sup> bio-soluble resin bonded glass fibre core with a high mass 10mm 740 kg/m<sup>3</sup> plasterboard attenuator backer with plain Sonatex™ or die cut perforated Sonaris™ decorative acoustic facing.

#### Benefits.

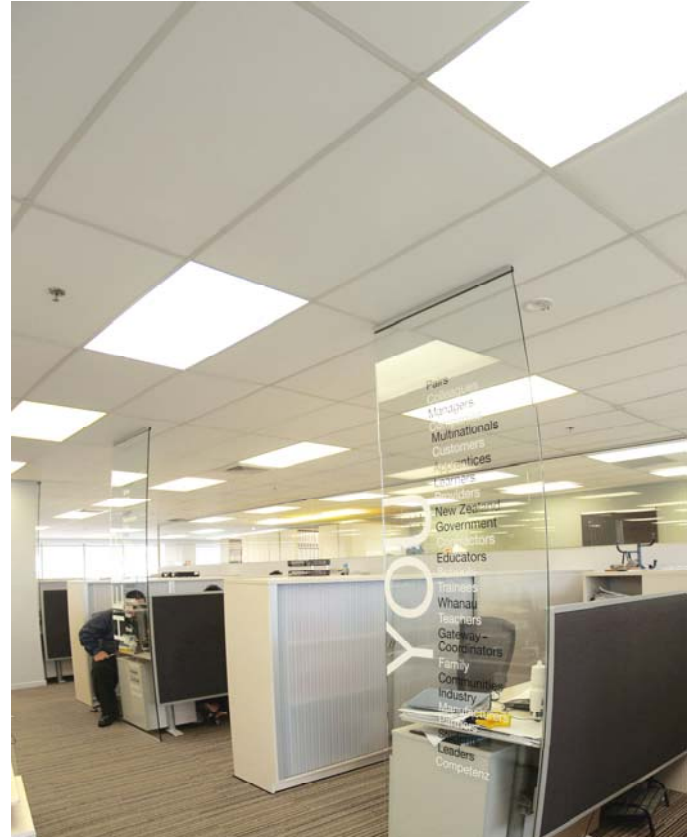
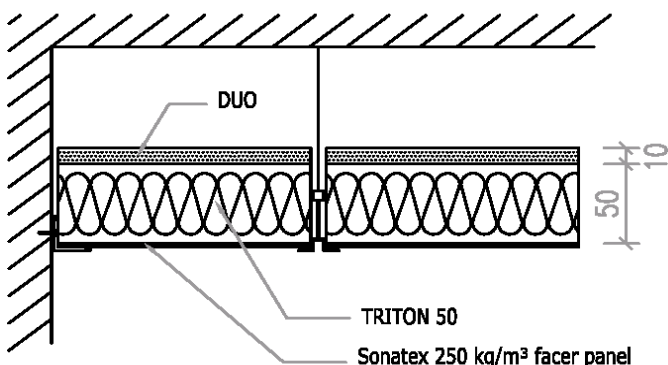
- Very high sound absorption, NRC 0.95,  $\alpha_W$  1.0, for reduction of background noise & reverberation
- High mass attenuator backer, STC 22 dB (CAC 44)
- Plain Sonatex or perforated Sonaris™ decorative finish.
- Clean white high light reflectance
- Easy to install, dimensionally stable
- GreenTag Certified / Level A

#### Technical Specifications

| Item #     | Size (nominal) *   | Edge       |
|------------|--------------------|------------|
| TD60.0606A | 60 x 600 x 600 mm  | A / Square |
| TD60.0612A | 60 x 600 x 1200 mm | A / Square |
| TD60.0624A | 60 x 600 x 2400 mm | A / Square |

\* Special sizes to order, max width 600mm, length 2400 mm

| Sound Absorption Rating: $\alpha_W$ 1.0; NRC 0.95 per ASTM C423, ISO 354 E-200. Test report T0516-10 |            |      |      |      |      |      |      |
|--|------------|------|------|------|------|------|------|
| size   | Hz         | 125  | 250  | 500  | 1000 | 2000 | 4000 |
| 60mm   | $\alpha_p$ | 0.50 | 0.70 | 1.00 | 1.00 | 1.00 | 0.95 |



## Technical Specifications



Competenz—Call Centre

### Accessibility:

All panels are demountable and accessible

### Back loading:

Max. 3.0 kg/m<sup>2</sup>, point loads max. 1.5 kg unsupported.

### Environmental Impact:

Made in NZ, contains 80% recycled content, low embodied energy. Product and packaging can be recycled/ reused in NZ. VOC <0.002 Mg/M<sup>2</sup>/hr per ASTM D5116

### Finish:

Sonatex:(White AS180) (Mid Grey RAL7040) (Light Grey RAL7030) (Grey White RAL9002) (Wood Wool Print) (Plaster Print) (Wood Print over RAL1014 Oak) (Wood Print over RAL1013 Blond) (Wood Print over RAL8019 Walnut) (Zinc Yellow RAL1018) (Ivory RAL1014) (Graphite Black RAL9011) (Traffic Red RAL3020) (Orient Red RAL3031) (Traffic Orange RAL2009) (Traffic Green RAL6032) (Aqua RAL6027).

### Fire Reaction:

Material group number: 1S (highest rating) C/VM2 / ISO 5660.1, Branz tested. Suitable for fire exit way and all other sprinklered & non sprinklered buildings.

### Installed conditions:

Max 90% R/H at 30°C.

### Light reflectance:

ASTM C1477 LR-1, >75% White

### Maintenance:

Clean with vacuum, soft brush or damp cloth. Re-surfacing of panels available, consult Asona.

### NZ Building Code:

Clause B2—durability, 5 years

### Service Panels:

Available with protective plastic film covering to help keep panels cleaning during the construction phase.

### Thermal Resistance:

R 1.4 m<sup>2</sup>°C/W

### Weight:

9.5 kg/m<sup>2</sup>

### Installation:

Shall not commence until the building is water tight and dry. M/E fittings over 1.5 kg shall be independently supported, use hold down clips in seismic areas.

### Specification:

Ceiling shall be Asona Triton Duo 60 composite high sound absorber and attenuator acoustical ceiling system manufactured and supplied by Asona Ltd tel: 09 525 6575, (600 x 1200 mm #TD60.0612) (600 x 2400 mm #TD60.0624) NRC 0.95, STC 22, CAC44 finish shall be Sonatex™ Sonatex: (White AS180) (Mid Grey RAL7040) (Light Grey RAL7030) (Grey White RAL9002) (Wood Wool Print) (Plaster Print) (Wood Print over RAL1014 Oak) (Wood Print over RAL1013 Blond) (Wood Print over RAL8019 Walnut) (Zinc Yellow RAL1018) (Ivory RAL1014) (Graphite Black RAL9011)(Traffic Red RAL3020) (Orient Red RAL3031) (Traffic Orange RAL2009) (Traffic Green RAL6032) (Aqua RAL6027). Support panels on (T24) (T38 wide faced) exposed suspension grid, secure with 2 x hold down clips per panel. Service panels shall be supplied with protective strippable plastic film. Fire group: 1S

### Asona Ltd

P.O Box 96-241 Balmoral,  
Auckland, New Zealand  
Sales:09 525 6575  
Email: info@asona.co.nz  
Web: www.asona.co.nz

Factory:  
Building 14, 7 Cain Road  
Penrose  
Auckland, New Zealand  
Tel: (09) 525 6575  
Fax: (09) 525 6579

ISO 9001:2008 Registered Firm No. NZ1014

© Copyright ASONA Ltd 2015  
Asona, Triton Duo 60 are trade marks of Asona Ltd  
All dimensions are nominal. We reserve the right to change specifications .  
Ref. Triton Duo 60—1304