

Triton 15™ - NRC 0.85

High Sound Absorbing Ceiling Panel

Technical Data sheet



asona

Description.

Triton 15™ is a made in NZ 15 mm thick ISO class A high sound absorbing ceiling panel with toughened non combustible Sonatex™ composite facer for robust durability and a clean white finish.

Application.

Triton 15™ is ideal for use in open plan offices, libraries and other applications that require control of background noise levels and reverberation times.

Composition.

Manufactured from Sonatex™ 250 kg/m³ composite facer panel laminated to a 65 kg/m³ bio-soluble glass fibre absorber. TFX™ suspension grid from galvanised steel with Sonatex™ tissue facer. Made in NZ, short lead times.

Benefits.

- High sound absorption rating, NRC 0.85, ISO 11654 class A, αW 0.90 for effective control of noise reverberation.
- Made in NZ, low embodied energy, contains 80% recycled local glass waste, low transport km's vs. imports
- Durable mat white Sonatex™ composite facer, high light reflectance, dimensionally stable in high humidity
- Light weight, easy to work and trim

Technical Specifications

Item #	Size (nominal) *	Edge
TR15.0606A	15 x 600 x 600 mm	A / Square
TR15.0612A	15 x 600 x 1200 mm	A / Square
TR15.0624A	15 x 600 x 2400 mm	A / Square

Sound Absorption Rating:

αW 0.90; Class A; NRC 0.85 per ASTM C423
ISO 354 E-200, Test report T0516-03

Hz	125	250	500	1000	2000	4000
αp	0.55	0.80	0.90	0.85	0.90	0.90

Accessibility:

All panels are demountable and accessible

Back loading:

Max. 1.5 kg/m², point loads shall be independently supported.

Colour:

White, black, other colours and custom design prints to order

Environmental impact:

From 80% recycled local content, low embodied energy, product and packaging can be recycled in NZ.
VOC <0.002 Mg/M²/hr per ASTM D5116

Fire Reaction:

Material group number: 1S (highest rating) C/VM2 / ISO 5660.1. Suitable for fire exit way and all other sprinklered & non sprinklered buildings.

Humidity:

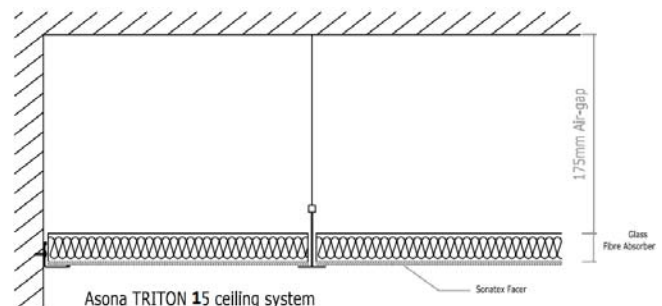
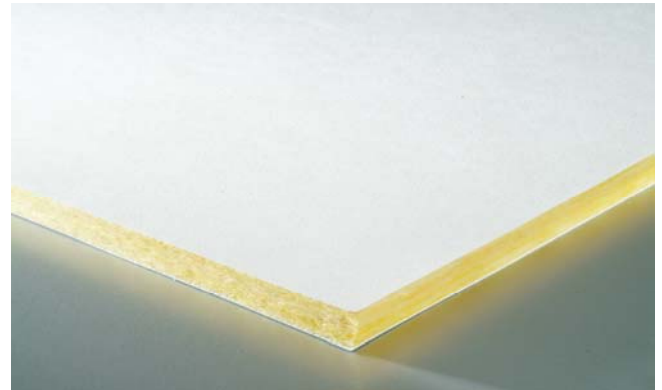
Max 99% R/H at 45°C.

Light reflectance:

ASTM C1477 LR-1, >75% White

Maintenance:

Clean with vacuum, soft brush or damp cloth. Re-surfacing of soiled panels available, consult Asona.



NZ Building Code:

Exceeds NZBC clause B2—durability

Service Panels:

Available with protective plastic film covering to help keep panels cleaning during the construction phase.

Thermal Resistance:

R 0.45 m²°C/W, **Thermal Resistance:**

R 1.47 m²°C/W

Weight:

1.5 kg/m²

Installation:

Shall not commence until the building is water tight and dry. Light fittings shall be independently supported, use hold down clips in areas of wind uplift. It is recommended that air grilles be installed in the ceiling to balance air pressure differentials. Do not use in ceilings with negative air return plenums unless encapsulated option specified.

Specification:

Ceiling system shall be Triton 15™ high sound absorbing ceiling as manufactured by Asona Ltd Tel: 09 525 6575 Fax: 09 525 6579, # () , module () x ()mm, 15 mm thick, sound absorption Class A, αW 0.90, NRC 0.85, thermal insulation R0.45, fire group: 1S, colour white, with proprietary colour/texture matched TFX™ glass tissue faced two way exposed suspension system. Supply service panels with protective strippable plastic film facing.

Asona Ltd

P.O Box 96-241 Balmoral,
Auckland, 1342, New Zealand
Email: info@asona.co.nz
Web: www.asona.co.nz

Factory:
Building 14, 7 Cain Road
Penrose, 1061
Auckland, New Zealand
Tel: 09 525 6575
Fax: 09 525 6579

ISO 9001: 2008 Registered Firm No. NZ1014

© Copyright ASONA Ltd 2014

Asona, Triton 15, Sonatex, TFX are trade marks of Asona Ltd
All dimensions are nominal. We reserve the right to change specifications .
Ref. Triton 15-1311

Triton 25™ - NRC 0.95

High Sound Absorbing Ceiling Panel

Technical Data sheet



asona



Wellsford Library, Triton 25, 600 x 240n TFX tissue faced grid

Description.

Triton 25™ is a made in NZ, high sound absorbing glass fibre ceiling panel designed to control unwanted noise in interior spaces. Triton is available in a wide range of decorative Sonatex™ acoustic laminate finishes from plain white greys, black, colours and prints to Sonaris™ perforated laminates.

Application.

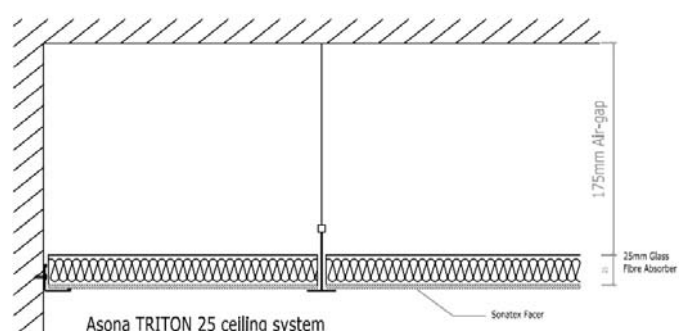
Triton 25™ is ideal for use in schools, open offices, call centres, libraries and other applications that require control of background noise levels and reverberation times.

Composition.

Manufactured in NZ from 48 kg/m³ resin bonded bio-soluble glass wool with heavy duty 320 gsm Sonatex™ composite facing. Suspension grid from coated steel or aluminium.

Benefits.

- Very high sound absorption rating to control reverberation, NRC 0.95, ISO 11654 class A, α_W 1.0, provides more absorption per sq.m than other acoustic materials.
- Available in a broad range of decorative acoustic laminate finishes to better match your interior design scheme.
- Panels available with strippable foil option to better protect the decorative finish during the construction phase.
- Green Tag Certified / Level A, low VOC >0.005 mg/m², core contains 80% recycled post consumer waste glass
- Resurface and renew soiled panels to extend product life.
- Made locally in NZ, short lead times
- Light weight, easy to work, dimensionally stable in high humidity.



Triton 25™ - NRC 0.95

High Sound Absorbing Ceiling Panel



asona

Technical Specifications

Item #	Size (nominal) *	Edge
TR25.0312	25 X 300 X 1200 mm	A / Square
TR25.0606	25 x 600 x 600 mm	A / Square
TR25.0612	25 x 600 x 1200 mm	A / Square
TR25.0618	25 x 600 x 1800 mm	A/ Square
TR25.0624	25 x 600 x 2400 mm	A/ Square
TR25.1212	25 x 1200 x 1200 mm	A / Square

Sound Absorption Rating:

α_w 1.0; Class A; NRC 0.95 per ASTM C423
ISO 354 E-200, Test report T0405-05

Hz	125	250	500	1000	2000	4000
α_p	0.55	0.85	1.00	0.95	1.00	1.00



Hobsonville Point Secondary School, Triton 25 with black Sonatex facing

Accessibility:

All panels are demountable and accessible

Back loading:

Max. 1.5 kg/m², point loads shall be independently supported.

Laminate Finishes:

Sonatex™ colours: (White AS180) (Mid Grey RAL7040) (Light Grey RAL7030) (Grey White RAL9002) (Wood Wool Print) (Plaster Print) (Wood Print over RAL1014 Oak) (Wood Print over RAL1013 Blond) (Wood Print over RAL8019 Walnut) (Zinc Yellow RAL1018) (Ivory RAL1014) (Graphite Black RAL9011) (Traffic Red RAL3020) (Orient Red RAL3031) (Traffic Orange RAL2009) (Traffic Green RAL6032) (Aqua RAL6027) Sonaris™ perforated laminates (S4/500/25) (S7/500/75) (S10/500/100) (P50/100)

Environmental impact:

Global Green Tag Certified, Class A, from 80% recycled local glass waste, low VOC <0.002 Mg/M²/hr per ASTM D5116, damaged or soiled panels can be resurfaced to reduce construction waste/ landfill

Fire Reaction:

Material group number: 1S (highest rating) C/VM2 / ISO 5660.1. Suitable for fire exit way and all other sprinklered & non sprinklered buildings.

Humidity:

Max 99% R/H at 45°C.

Light reflectance:

ASTM C1477 LR-1, >75% White

Maintenance:

Clean with vacuum, soft brush or damp cloth.
Re-surfacing of damaged panels available, consult Asona.

NZ Building Code:

Exceeds clause B2—durability

Service Panels:

Available with strippable protective METPET film covering to help keep panels cleaning during the construction phase.

Thermal Resistance:

R 0.7 m²°C/W

Tolerances:

+/- 2 mm

Weight:

1.5 kg/m²

Installation:

Shall not commence until the building is water tight and dry. Light fittings shall be independently supported, use hold down clips in areas of wind uplift. It is recommended that air grilles be installed in the ceiling to balance air pressure differentials. Not for air return plenums.

Specification:

Ceiling system shall be Triton 25 high sound absorbing ceiling from compressed bio-soluble glass wool with heavy duty 320 gsm Sonatex™ composite facing as manufactured by Asona Ltd Tel: 09 525 6575 Fax: 09 525 6579, # (), module () x ()mm, 25 mm thick, sound absorption Class A, α_w 1.0, NRC 0.95, thermal insulation R0.7, fire group is 1S. Decorative acoustic laminate shall be Sonatex™ colour: (White AS180) (Mid Grey RAL7040) (Light Grey RAL7030) (Grey White RAL9002) (Wood Wool Print) (Plaster Print) (Wood Print over RAL1014 Oak) (Wood Print over RAL1013 Blond) (Wood Print over RAL8019 Walnut) (Zinc Yellow RAL1018) (Ivory RAL1014) (Graphite Black RAL9011) (Traffic Red RAL3020) (Orient Red RAL3031) (Traffic Orange RAL2009) (Traffic Green RAL6032) (Aqua RAL6027). Sonaris™ (perforations) with Donn DX two way exposed suspension system. Supply service panels with protective strippable plastic film facing.

Asona Ltd

P.O Box 96-241 Balmoral,
Auckland, 1342, New Zealand
Sales Tel: 09 5256575
Email: info@asona.co.nz
Web: www.asona.co.nz

Factory:

Building 14, 7 Cain Road
Penrose, 1061
Auckland, New Zealand
Tel: (09) 525 6575
Fax: (09) 525 6579

ISO 9001:2008 Registered Firm No. NZ1014

© Copyright ASONA Ltd 2017 Asona, Triton 25, Sonatex, TFX are trade marks of Asona Ltd. All dimensions are nominal. We reserve the right to change specifications without prior notice. Ref. Triton 25-1711

Triton 50™ - NRC 1.00

High Sound Absorbing Ceiling and Wall Panel

Technical Data sheet



SONO



Fisher & Paykel call centre, Auckland

Description.

Triton 50™ is a made in NZ, high sound absorbing ceiling panel designed to control unwanted noise in interior spaces. Triton is available in big panels up to 3000 x 1200 mm and in a wide range of decorative Sonatex™ acoustic laminates from plain mat white, black, greys, colours, prints and Sonaris™ perforated laminates.

Application.

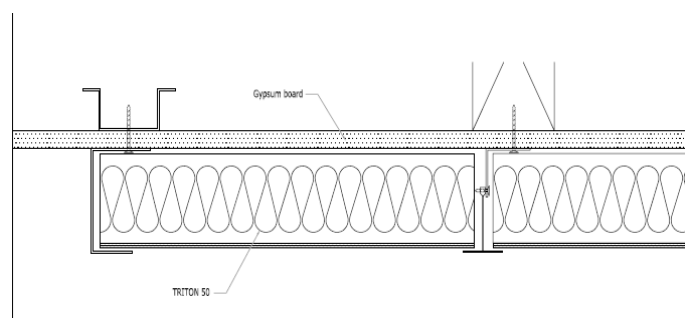
Triton 50™ is ideal for suspended ceilings or direct fix over plaster-board linings. Ideal for open offices, halls, classrooms, libraries etc.

Composition.

Manufactured from 48 kg/m³ resin bonded bio-soluble glass wool laminated with heavy duty 320 gsm Sonatex™ glass mat composite facing. Framing from powder coated or tissue wrapped steel or aluminium.

Benefits.

- 50 mm thick panel provides superior sound absorption at low to high frequencies compared to thinner absorbers.
- Large panels available (1200 x 2400/ 3000mm) for a cleaner look with fewer panel joints compared to standard 600 x 1200 tiles. Ideal as a high sound absorbing solution over plaster board linings.
- Available in a broad range of decorative acoustic laminate finishes to better match your interior design scheme.
- Panels available with strippable foil to protect decorative finish during the construction phase.
- Cut to size panels available, tight tolerances
- Green Tag Certified / Level A, low VOC >0.005 mg/m², core contains 80% recycled post consumer waste glass
- Group 1s fire, will not release melting droplets
- R1.5 thermal insulation, light weight, easy to cut and trim
- Dimensionally stable in high humidity, Designed for disassembly and refacing (Renew & recycle service) to extend product life and reduce construction waste.
- Made in NZ, short lead times.



Triton 50™ - NRC 1.00

High Sound Absorbing Ceiling and Wall Panel

Technical Data sheet



asona



Running with Scissors, Auckland. Triton 50, 2400 x 1200 panels direct fixed over plasterboard lining.



Auckland District Court—Triton 50 with 7 x 500 slot perforated white on grey facing

Technical Specifications

Item #	Size (nominal) *	Edge
TR50.0612	50 x 600 x 1200 mm	A / Square
TR50.1212	50 x 1200 x 1200 mm	A / Square
TR50.1218	50 x 1200 x 1800 mm	A / Square
TR50.1224	50 x 1200 x 2400 mm	A / Square
TR501230	50 x 1200 x 3000mm	A / Square

* Special order, width 300—1200 mm, length 400—3000 mm

Sound Absorption Rating:						
Test reports T0601-2, αW 1.0 per ISO 354; NRC 1.05 per ASTM C423 E-200 mount. T0601-5 αW 1.0 NRC 1.00 A mount						
Hz	125	250	500	1000	2000	4000
αp E200	0.70	1.00	1.00	1.00	1.00	0.95
αp A	0.25	0.85	1.00	1.00	0.95	0.90

Accessibility:

All panels are demountable and accessible

Back loading:

Max. 1.5 kg/m², point loads shall be independently supported.

Laminate Finishes:

Sonatex™ colour: (White AS180) (Mid Grey RAL7040) (Light Grey RAL7030) (Grey White RAL9002) (Wood Wool Print) (Plaster Print) (Wood Print over RAL1014 Oak) (Wood Print over RAL1013 Blond) (Wood Print over RAL8019 Walnut) (Zinc Yellow RAL1018) (Ivory RAL1014) (Graphite Black RAL9011)(Traffic Red RAL3020) (Orient Red RAL3031) (Traffic Orange RAL2009) (Traffic Green RAL6032) (Aqua RAL6027). Sonaris™ perforations. Special order finishes available, consult Asona.

Environmental impact:

Global Green Tag Certified, Class A, from 80% recycled local glass waste, low VOC <0.002 Mg/M²/hr per ASTM D5116, damaged or soiled panels can be resurfaced to reduce construction waste, consult Asona.

Fire Reaction:

Material group number: 1S (highest rating) C/VM2 / ISO 5660.1. Suitable for fire exit way, other sprinklered & non sprinklered buildings.

Humidity:

Max 99% R/H at 45°C.

Light reflectance:

ASTM C1477 LR-1, >82% (white)

NZ Building Code:

Clause B2—durability, 5 years

Maintenance:

Clean with vacuum, soft brush or damp cloth. Damaged panels can be repaired and renewed, consult Asona.

Service Panels:

Available with protective plastic film covering to help keep panels cleaning during the construction phase.

Thermal Resistance:

R 1.47 m²°C/W

Tolerances:

+/- 2 mm

Weight:

2.7 kg/m²

Installation:

Shall not commence until the building is water tight and dry. Light fittings shall be independently supported, use hold down clips in areas of wind uplift. For suspended ceilings it is recommended that air grilles be installed to balance air pressure differentials. Not for air return plenums. For walls, fit panels above wainscot height to prevent damage from knocks and bumps. Use DXW T38 wide faced grid for large module panels (1200 x 1800/2400/3000mm)

Specification:

Acoustical treatment shall be Asona Triton 50 high sound absorbing glass fibre panels as manufactured by Asona Ltd tel: 09 525 6575, item # (), module () x ()mm, 50 mm thick, sound absorption NRC 1.00, thermal insulation R1.47, fire group: 1S. Decorative finish shall be Sonatex™ colour (mat white) (Mid Grey RAL7040) (Light Grey RAL7030) (Grey White RAL9002) (Wood Wool Print) (Plaster Print) (Wood Print over RAL1014 tan) (Wood Print over RAL1013 Blond) (Wood Print over RAL8019 Walnut) (Zinc Yellow RAL1018) (Ivory RAL1014) (Graphite Black RAL9011)(Traffic Red RAL3020) (Orient Red RAL3031) (Traffic Orange RAL2009) (Traffic Green RAL6032) (Aqua RAL6027), Sonaris™ (perforation). Panels shall be install on (DX T24) (DXW wide) suspension system in module to suit panel. Supply service panels with protective strippable METPET film facing.

Asona Ltd

P.O Box 96-241 Balmoral,
Auckland, New Zealand
Sales Tel: 09 525 6575
Email: info@asona.co.nz
Web: www.asona.co.nz

Factory:

Unit 14, 7 Cain Rd,
Penrose, Auckland
Tel: (09) 525 6575

ISO 9001:2008 Registered Firm No. NZ1014

© Copyright ASONA Ltd 2017
Asona, Triton 50, TFX are trade marks of Asona Ltd. All dimensions are nominal. We reserve the right to change specifications. Ref. Triton 50-1711

Triton 75 - NRC 1.05

High Sound Absorbing Ceiling Panel



Technical Data sheet

asona

Description.

Triton 75™ is a made in NZ 75 mm thick high sound absorbing ISO class A ceiling panel with toughened Sonatex™ composite facer for robust durability and a clean white finish. Triton 75™ provides exceptional low, mid and high frequency sound absorption and R2.2 thermal insulation.

Application.

Triton 75™ is ideal for large volume spaces and applications that require control of low frequency reverberation, recording studios, audiology testing rooms, halls, call centres, open plan offices.

Composition.

Manufactured from toughened Sonatex™ composite facer panel laminated to a 75 mm x 35 kg/m³ resin bonded bio-soluble glass fibre sound absorber board. TFX suspension grid from galvanised steel with Sonatex tissue facer. Made in NZ.

Benefits.

- 75 mm thick for ultra high sound absorption especially at low frequency, NRC 1.05, ISO class A, α_w 1.0
- Dimensionally stable in high humidity.
- R2.2 for added insulation efficiency in buildings.
- High light reflectance, light weight, easy to install, low embodied energy product.
- Protective strippable plastic film facer option to keep service panels clean during installation.
- Made in NZ, low embodied energy, contains 80% recycled local glass waste, low transport km's vs. imports.
- **GreenTag Certified / Level A**

Technical Specifications

Item #	Size (nominal)*	Edge
TR75.0612	75 x 600 x 1200 mm	A / Square
TR75.1212	75 x 1200 x 1200 mm	A / Square
TR75.1224	75 x 1200 x 2400 mm	A / Square

* Other sizes to order, width 300—1200 mm, length 400—2400 mm

Sound Absorption Rating:

Class A, α_w 1.0 per ISO 11654; Test report T0405-06
ISO 354 E-200 method; NRC 1.05 per ASTM C423

Hz	125	250	500	1000	2000	4000
α_p E200	0.80	1.00	1.00	1.00	1.00	1.00
α_p A70	0.60	1.00	1.00	1.00	1.00	1.00

Accessibility:

All panels are demountable and accessible

Back loading:

Max. 1.5 kg/m², point loads shall be independently supported.

Colour:

White, other colours and patterns to order.

Environmental impact:

From 80% recycled local content, low embodied energy, product and packaging can be recycled in NZ. Low VOC.

Light reflectance:

ASTM C1477 LR-1, >75% White



Fire Reaction:

Material group number: 1S (highest rating) C/VM2 / ISO 5660.1. Suitable for fire exit way and all other sprinklered & non sprinklered buildings.

Humidity:

Max 99% R/H at 45°C.

Maintenance:

Clean with vacuum, soft brush or damp cloth. Re-surfacing of soiled panels available, consult Asona.

NZ Building Code:

Clause B2—durability, 5 years

Service Panels:

Available with protective strippable plastic film covering to help keep panels cleaning during the construction phase.

Thermal Resistance:

R2.2 m²°C/W

Weight:

3.5 kg/m²

Installation:

Shall not commence until the building is water tight and dry. Light fittings shall be independently supported, use hold down clips in seismic areas. It is recommended that air grilles be installed in the ceiling to balance air pressure differentials. Do not use in ceilings with negative air return plenums unless encapsulated option specified (ref. Asona).

Specification:

Ceiling shall be Triton 75 composite acoustical ceiling system by Asona Ltd Tel: 09 525 6575 Fax 09 525 6579, #item () x ()mm, 75 mm thick, sound absorption class A, α_w 1.0, NRC 1.05, thermal insulation R 2.2, colour white, suspended panels on (T24)(T38) two way exposed suspension system. Supply service panels with protective strippable plastic film facing.

Asona Ltd

P.O Box 96-241 Balmoral,
Auckland, 1342, New Zealand
Sales: 09 525 6575
Email: info@asona.co.nz
Web: www.asona.co.nz

Factory:
Building 14, 7 Cain Road
Penrose, 1061
Auckland, New Zealand
Tel: 09 525 6575
Fax: 09 525 6579

ISO 9001:2008 Registered Firm No. NZ1014

© Copyright ASONA Ltd 2015
Asona, Triton 75, Sonatex, are trade marks of Asona Ltd
All dimensions are nominal. We reserve the right to change specifications
Ref. Triton 75-1504

Triton 100 - NRC 1.05

High Sound Absorbing Ceiling Panel

Technical Data sheet



asona

Description.

Triton 100™ is a made in NZ 100 mm thick high sound absorbing ISO class A ceiling panel with toughened Sonatex™ composite facer for robust durability and a clean white finish. Triton 100™ provides exceptional low, mid and high frequency sound absorption and R3.0 thermal insulation.

Application.

Triton 100™ is ideal for large volume spaces and applications that require control of low frequency reverberation, recording studios, audiology testing rooms, halls, call centres, open plan offices.

Composition.

Manufactured from toughened Sonatex™ composite facer panel laminated to a 100 mm x 38 kg/m³ resin bonded bio-soluble glass fibre sound absorber board. TFX suspension grid from galvanised steel with Sonatex tissue facer. Made in NZ.

Benefits.

- 100 mm thick for ultra high sound absorption especially at low frequency, NRC 1.05, ISO class A, αW 1.0
- Durable resilient composite panel resists damage from moderate impact; chip, crack, puncture resistant.
- R3.0 for added insulation efficiency in buildings.
- Matching finish TFX grid for a monolithic aesthetic.
- High light reflectance, light weight, easy to install, low embodied energy product.
- Protective strippable plastic film facer option to keep service panels clean during installation.
- Made in NZ, low embodied energy, contains 80% recycled local glass waste, low transport km's vs imports.
- **GreenTag Certified / Level A**

Technical Specifications

Item #	Size (nominal)*	Edge
TR100.0612	100 x 600 x 1200 mm	A / Square
TR100.1212	100 x 1200 x 1200 mm	A / Square
TR100.1224	100 x 1200 x 2400 mm	A / Square

Sound Absorption Rating:						
Class A, αW 1.0 per ISO 11654;						
ISO 354 E-200 method; NRC 1.05 per ASTM C423						
Hz	125	250	500	1000	2000	4000
αp E200	1.00	1.00	1.00	1.00	1.00	1.00
αp A	0.90	1.00	1.00	1.00	1.00	1.00

Accessibility:

All panels are demountable and accessible

Back loading:

Max. 1.5 kg/m², point loads shall be independently supported.

Colour:

White, other colours and patterns to order.

Environmental impact:

Glass board made from 80% recycled local content, low embodied energy, product and packaging can be recycled in NZ. Low VOC <0.002 Mg/M²/hr per ASTM D5116



Light reflectance:

ASTM C1477 LR-1, >75% White

Fire Reaction:

Material group number: 1S (highest rating) C/VM2 / ISO 5660.1. Suitable for fire exit way and all other sprinklered & non sprinklered buildings.

Humidity:

Max 99% R/H at 45°C.

Maintenance:

Clean with vacuum, soft brush or damp cloth. Re-surfacing of soiled panels available, consult Asona.

NZ Building Code:

Clause B2—durability, 5 years

Service Panels:

Available with protective strippable plastic film covering to help keep panels cleaning during the construction phase.

Thermal Resistance:

R3.0 m²°C/W

Weight:

4.00 kg/m²

Installation:

Shall not commence until the building is water tight and dry. Light fittings shall be independently supported, use hold down clips in seismic areas. It is recommended that air grilles be installed in the ceiling to balance air pressure differentials. Do not use in ceilings with negative air return plenums unless encapsulated option specified (ref. Asona).

Specification:

Acoustic panel shall be Triton 100™ high sound absorbing glass fibre panel by Asona Ltd Tel: 09 525 6575 Fax 09 525 6579, #item () , module () x ()mm, 100 mm thick, sound absorption class A, αW 1.0, NRC 1.05, thermal insulation R 3.0, fire group: 1S, colour white, suspend on (T24) (T38) two way exposed suspension system. Supply service panels with protective strippable plastic film facing.

Asona Ltd

P.O Box 96-241 Balmoral,
Auckland, 1342, New
Zealand
Sales: 09 525 6575
Email: info@asona.co.nz
Web: www.asona.co.nz

Factory:
Building 14, 7 Cain Road
Penrose, 1061
Auckland, New Zealand
Tel: 09 525 6575
Fax: 09 525 6579

ISO 9001:2008 Registered Firm No. NZ1014

© Copyright ASONA Ltd 2017
Asona, Triton 100, Sonatex are trade marks of Asona Ltd
All dimensions are nominal. We reserve the right to change specifications
Ref. Triton100- 1706