

Asona Snaptex™

Stretched Fabric Wall and Ceiling System

Technical Data sheet



asona

Description.

Asona Snaptex™ is a site built stretched fabric wall and ceiling system available in a wide range of decorative finishes. Panels can be large with sewn seams or panelized with expressed negative detail in square, round or bevel edges. For acoustic control a 25 or 50mm high density glass fibre absorber panel is fitted under the fabric.

Application.

Asona Snaptex™ helps create unique upscale interiors, ideal for noise control in meeting rooms, cinema, theatre, music rooms, restaurants, hotels, healthcare facilities etc.

Composition.

Asona Snaptex™ system comprises Snaptex fabric tensioning track fixed to wall, 25 or 50mm mm thick fire resistant glass fibre board with impact resistant Sonatex 250 acoustic facer for a firm feel under fabric. Finished with a decorative fabric stretched taut with Snaptex track. Low density polyester wadding can be added where a soft padded look is desired.

Benefits.

- Wide range of fabric finishes available
- Unique hinged interlocking jaws for perfect fabric tension and grip, snaptex easily re-opened for fabric maintenance



- High sound absorption, NRC 0.75—1.00, quiet comfort.
- Square, bevel or reveal edge details, sonatex 250 impact or padded interlayer options.
- Site built for a perfect fit around architectural detail
- Installed by our trained professional fixers.

Technical Specifications

Sound Absorption Rating: Per ASTM C423						
Type A, direct fix to plasterboard lining, 30mm system NRC 0.75, 60 mm system NRC 1.00. System 60 + charade fabric						
Hz	125	250	500	1000	2000	4000
Type A50—<i>αs</i>	0.25	0.85	1.00	1.00	0.95	0.95

Fabric finishes:

A wide range of screen fabrics are available, contact Asona. Client supplied fabric subject to prior approval. Polyester, silk, non hydrophilic fabrics work best. Thin fabrics may require backing to reduce show through of edge track.

Dimensions:

Panels width and length determined by fabric selection and join detail. Thickness to suit acoustic absorption requirements. 13, 30 and 60 mm thick systems. Refer Asona

Environmental impact:

From new and recycled content, low embodied energy, can be reused/recycled.

Fire Reaction:

AS1530 pt 3. Smoke developed 5, spread of flame 0. subject to fabric selection, fire retardant coating available

Maintenance:

Fabric can be vacuumed to remove dust and regular cleaning agents used for spot removal. If required the fabric may be removed for cleaning or refurbishment

Limitations:

Do not install in wet areas, for high impact zones consult Asona. Direct exposure to sun light may result in fabric fade. Fabric colour may vary batch to batch.

NZ Building Code:

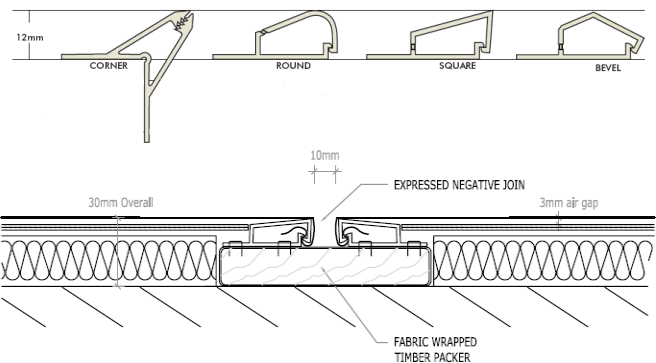
Clause B2—durability, 5 years

Installation:

Asona Snaptex is a decorative finish and shall be installed late in the build program once the building is water tight and free of dust and debris from other trades. Utility outlets shall be mounted flush with fabric face.

Snaptex Profiles:

Standard 12mm profiles, fix to timber packer for use with 25 or 50 mm core board. Other profiles available to order



Specification:

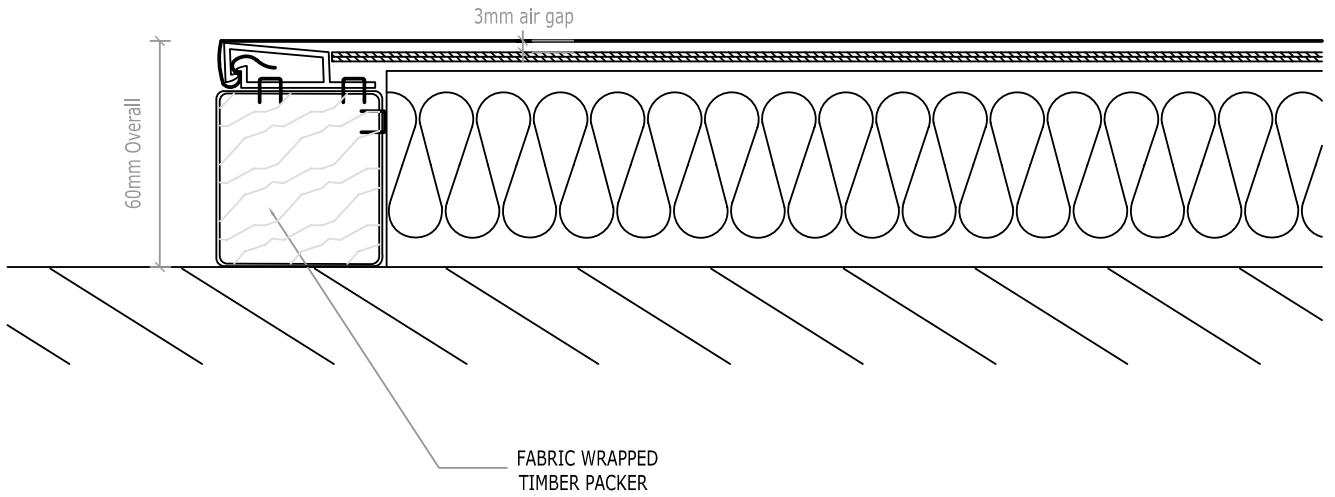
Fabric panels shall be Asona Snaptex™ stretched fabric acoustical panels, system (13)(30)(60), site built, as supplied and installed by Asona Ltd. Tel: 09 525 6575 Fax: 09 525 6579. Fabric finish shall be (specify type), fabric width, panel join type (10mm negative) (3 mm pencil line) (sewn seam) Panel size shall be (length) x (width), panel thickness shall be (13mm) (30mm) (60mm) (other)

Asona Ltd

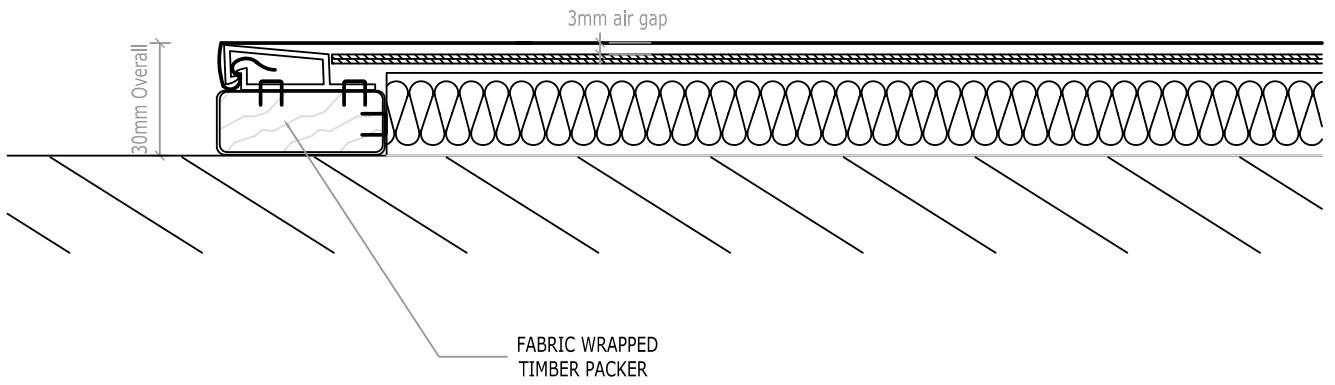
P.O Box 96-241 Balmoral,
Auckland, New Zealand
Sales:
Tel: 021 50 57 40
Email: info@asona.co.nz
Web: www.asona.co.nz

Factory:
5B Monier Place
Mt Wellington
Auckland, New Zealand
Tel: (09) 525 6575
Fax: (09) 525 6579

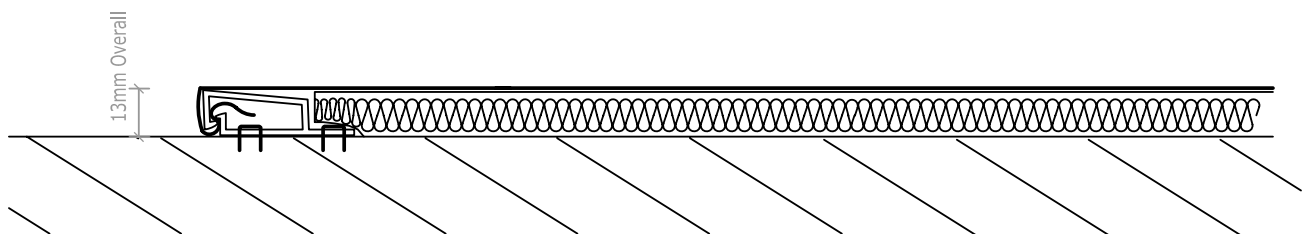
Scale 1:2
SYSTEM 60

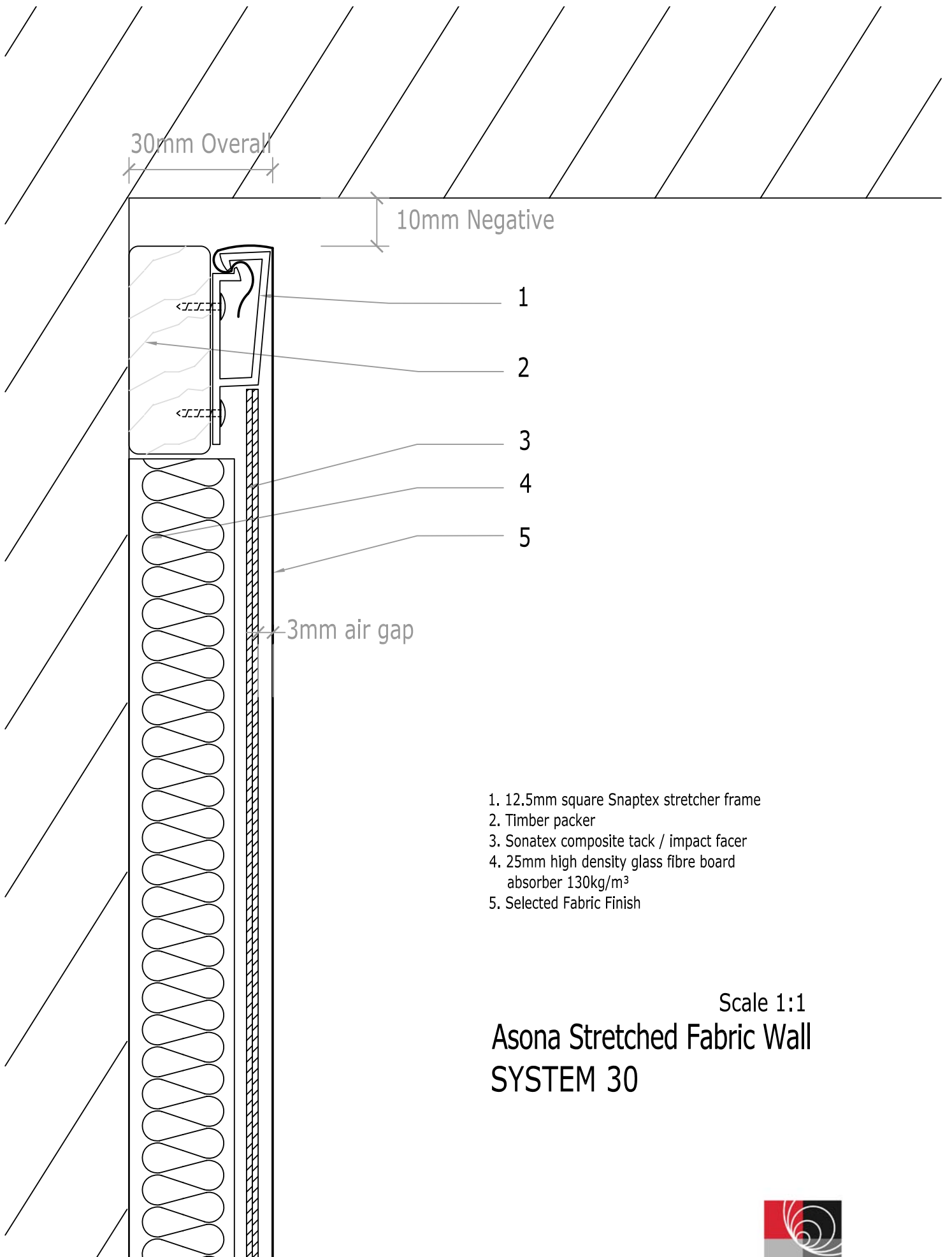


Scale 1:2
SYSTEM 30



Scale 1:2
SYSTEM 13

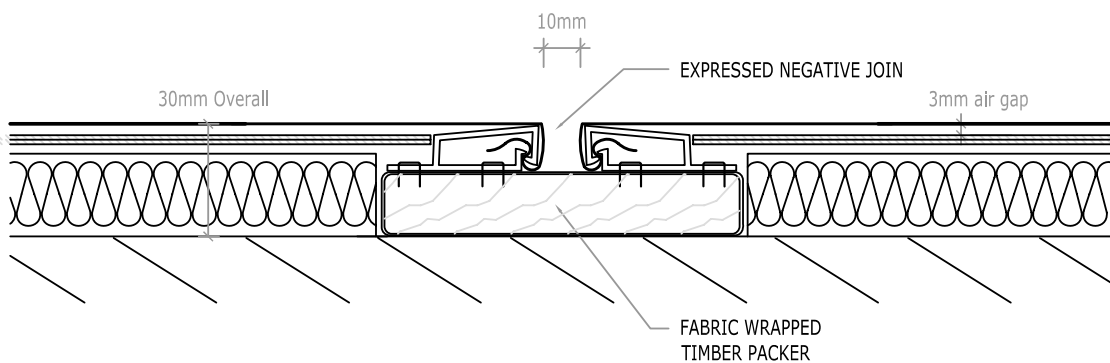
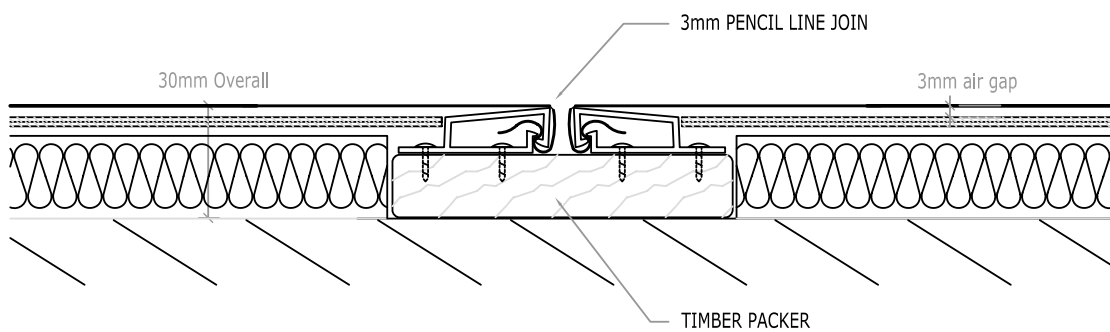
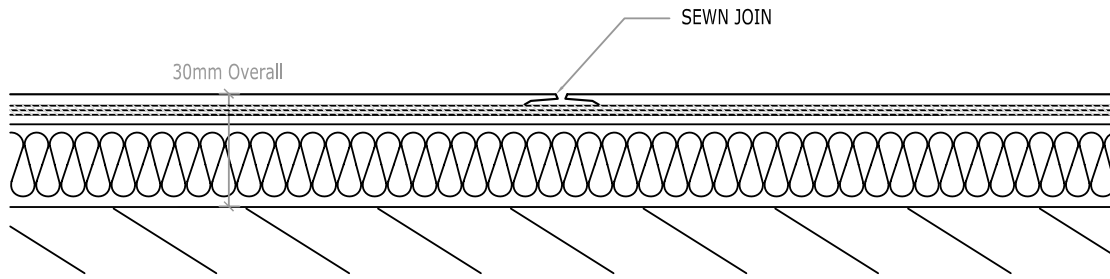




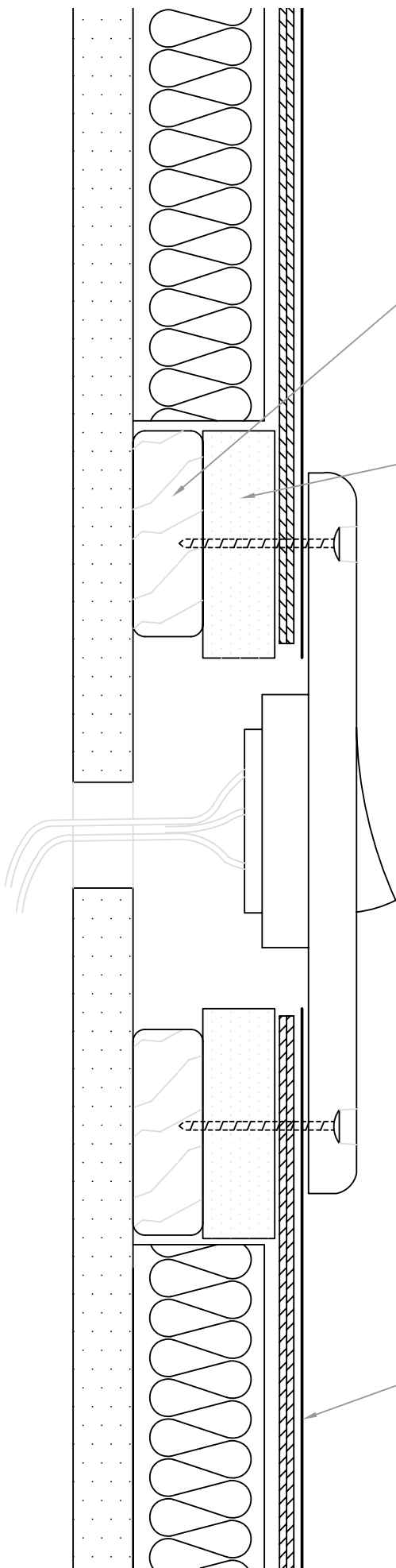
- 1. 12.5mm square Snaptex stretcher frame
- 2. Timber packer
- 3. Sonatex composite tack / impact facer
- 4. 25mm high density glass fibre board absorber 130kg/m³
- 5. Selected Fabric Finish

Scale 1:1
**Asona Stretched Fabric Wall
 SYSTEM 30**





Scale 1:2
 SYSTEM 30 - MID WALL DETAIL OPTIONS



Timber packer

12mm MDF cover plate with
cutout for electrical outlet

Scale 1:1

SYSTEM 30 PENETRATION

Sonatex Facer and Fabric
finish under M/E outlet

