

data sheet

2.1.1

Product Description

Durable fibre cement sheet panel with modular slot style perforations. Suitable for use as a ventilation panel or as an acoustic panel when supplied with our optional Integrated Acoustic Backing (IAB) or when installed with an appropriate absorbent backing material. Au·diVent is available with a choice of panel joint details to suit specific requirements and is ideally suited to high humidity or corrosive applications. Au·diVent helps to reduce ceiling space heat build-up and condensation by allowing natural ventilation of the roof space through the Au·diVent eaves.

Refer to Au·diVent, Slotted Eaves Lining, Data Sheet 2.2.1 – 2.2.3 for specific details regarding eaves lining applications.

Product Features

- Unaffected by steam, moisture, sunlight or vermin
- Excellent water resistant properties
- Ideal for harsh environments
- Variety of jointing options

Variations

- Slotting module can be customised to suit special width sheets (consult Atkar Technical Staff)
- Integrated Acoustic Backing (IAB), not recommended for use in wet areas
- Square or recessed edge

Jointing Options

- Vee or Exposed Joint
- Recessed edge for Flush Jointing
- PVC H-Mould
- Cover Mould

Material Sizes

Standard panel size availability as shown below.

Sheet Sizes (6mm Thick)

Width (mm)	Lengths (mm)		
	900	1800	2400
900	900		
1200	1200		2400

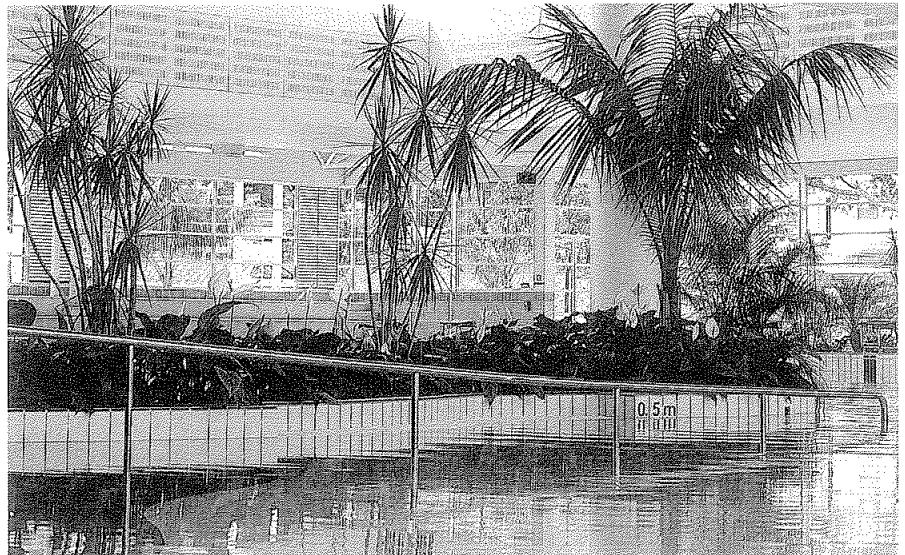
For non-standard panel or module sizes, consult Atkar Technical Staff.

Perforation Patterns

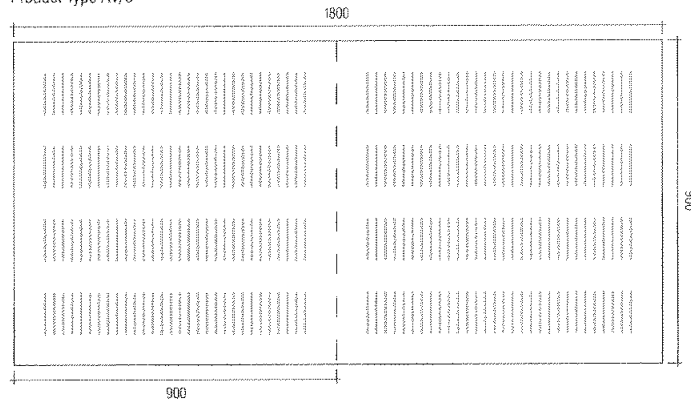
Illustrated on the right are the standard perforation patterns available for full sheets. All measurements are in mm.

Select pattern type AV/3 when a 900mm module is required or pattern type AV/4 for a 1200mm module. Both patterns provide an open area of approximately 10% and as such are ideally suited to acoustic applications.

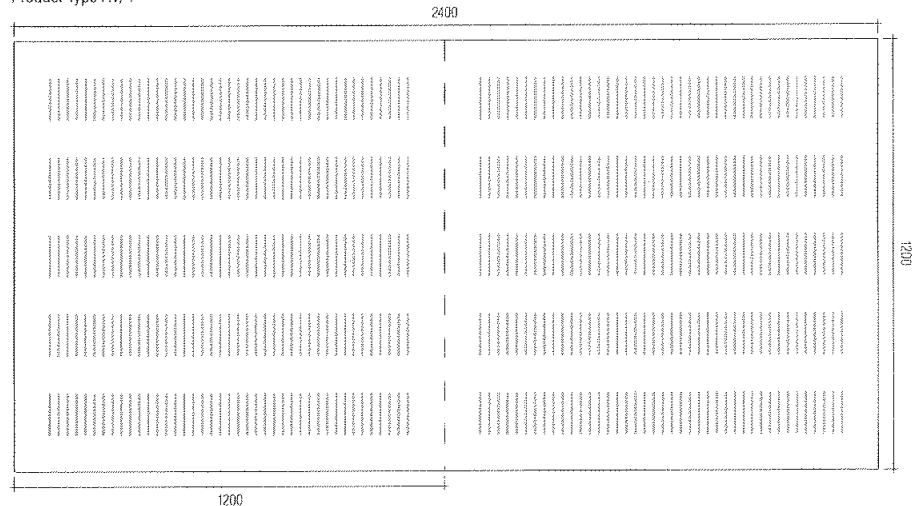
© Copyright Atkar






Product Type AV/3



Product Type AV/4



Material Thickness (mm)	Maximum Framing Centres (mm)	Fastener Centres Perimeter (mm)	Fastener Centres Intermediate (mm)	Expansion Joints Required	Fastener Type	
6.0	600	Walls			Yes flush jointed applications only	Timber 3.0 x 2.8 fibre cement nail  Steel Light gauge steel SEH 8/20 S pt screw 
		Ceilings				
		200	250	Yes flush jointed applications only	Steel 0.75 – 1.2mm thick HD 8/22 screw 	

Installation Details

The table to the left provides a fixing guide for general commercial applications.

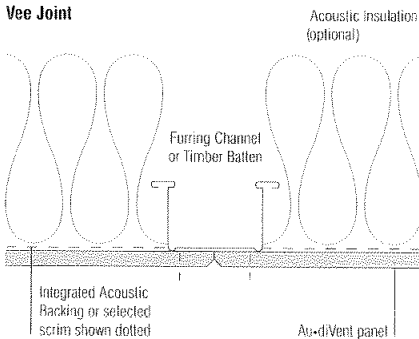
Au·diVent sheets should be fixed at right angles to framing where possible with sheet ends coinciding with framing members. Do not fix sheets directly to the underside of roof framing or structural members. Battens or furring channels must be used. Closer framing centres are required for high wind applications and where sheets are to be curved. For these applications or where flush jointing is to be incorporated, contact Atkar Technical Staff for details.

Joining Details

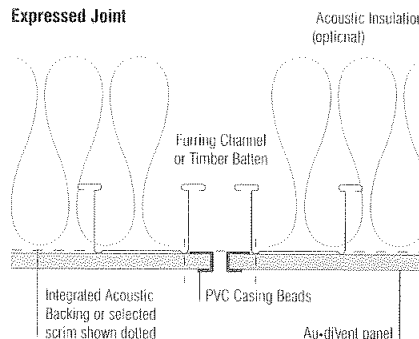
Please note. Acoustic insulation and selected scrim are only applicable in acoustic applications.

Locate fasteners not less than 12mm from sheet edges and 50mm from sheet corners.
General fixing guide only, consult Atkar Technical Staff for full details.

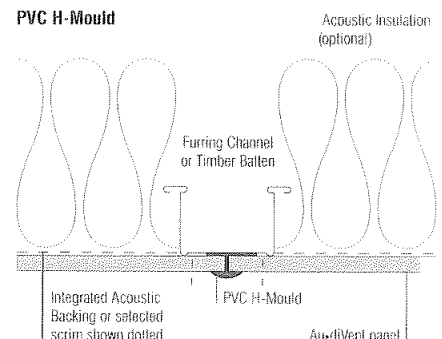
Vee Joint



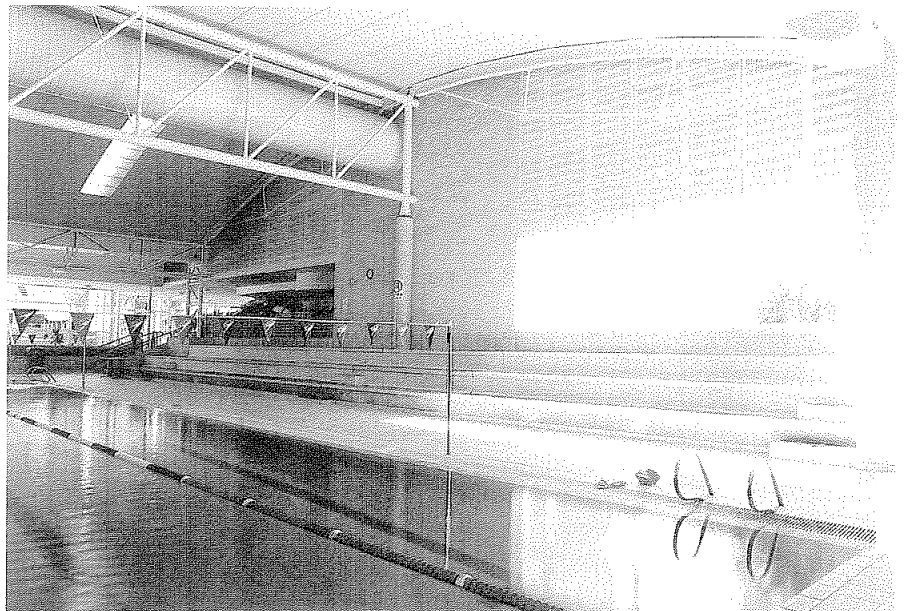
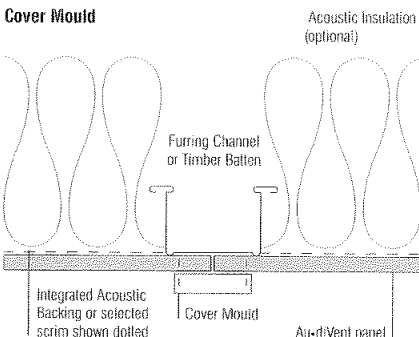
Expressed Joint



PVC H-Mould



Cover Mould



Attention – The method of fixing indicated for this product is of a general nature only and does not allow for specific design criteria such as wind loads, expansion joints or any other special design requirements which should be separately provided for by the specifier.

Due to continual product improvement the information in this publication is subject to alteration without notice.

© Copyright. No part of this publication may be reproduced without the written consent of Atkar.